

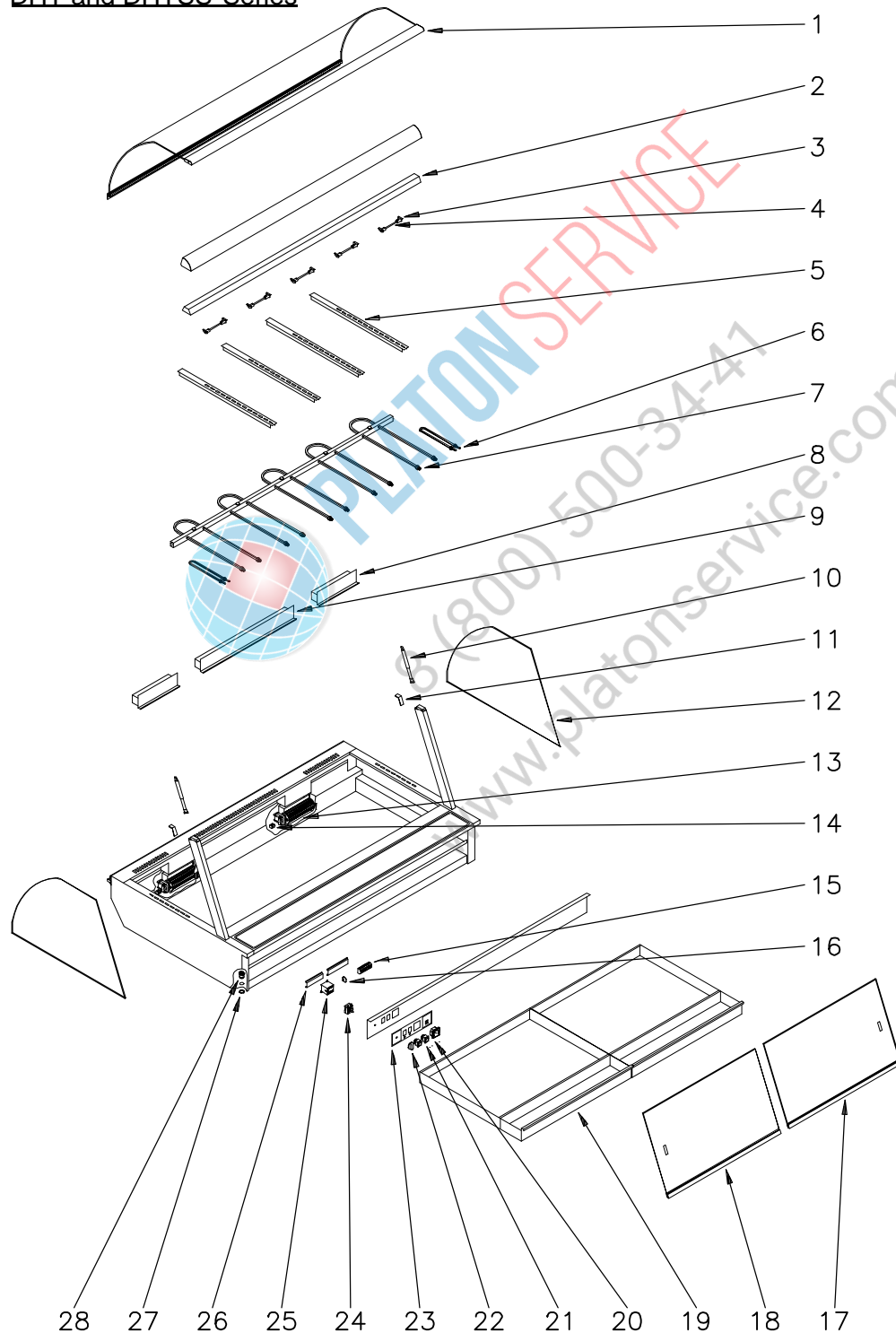
### 6.4 Spare Parts

Defect parts are to be replaced only by original spare parts of the company UBERT GASTROTECHNIK GMBH; the replacement is to be carried out only by their service personal or by your authorized Service companies. Only these two companies are allowed to carry out service work and replacement of defect parts. If you do not observe this note or in case of manipulation of a third party any claims for guarantee will become invalid! Also all certifications (CE, UL, NSF and the like) become invalid!



#### 6.4.1 Explosion Diagram

DHT and DHTSS-Series



## 6.4.2 Spare Parts List

### DHT31 and DHT31SS

Pos.	Description	Part No.	Amount
1	front glass assy	121783	1
	front glass top	421022	1
2	reflector	121780	1
3	lamp socket	340412	6
4	halogen lamp 150W	340625	3
5	intermediate rail	121740	2
6	heating element 1150W	343150	3
7	crumb drawer	121798	2
8	pressure lift	460101	2
9	lighting screen holder	460002	2
10	side glass	421010	2
11	fan	344104	1
12	terminal block 2-pole	333302	2
13	terminal block 4-pole	333323	6
14	end cap for terminal block	333324	1
15	sliding glass right	121786	1
16	sliding glass left	121785	1
17	water drawer	121799	2
18	thermometer 0-120°C	342907	1
19	switch	341108	2
20	knob	361311	1
21	display UBERT	360146	1
22	thermostat	342210	1
23	contactor	342409	1
24	track for terminal blocks	121750	1
25	strain relief counter nut	338111	1
26	strain relief PG 16	338109	1
	guide bar	121777	1
	guide bar bottom	121778	1

### DHT41 and DHT41SS

Pos.	Description	Part No.	Amount
1	front glass assy	121549	1
	front glass top	421036	1
2	reflector	121780	1
3	lamp socket	340412	8
4	halogen lamp 150W	340625	4
5	intermediate rail	121740	3
	heating element 1000W	343115	2
6	heating element 1150W	343150	4
7	crumb drawer small	121885	2
8	pressure lift	460001	2
9	lighting screen holder	460002	2
10	side glass	421010	2
11	fan	344104	1
12	terminal block 2-pole	333302	3
13	terminal block 4-pole	333323	6
14	end cap for terminal block	333324	1
15	sliding glass right	121548	1
16	sliding glass left	121547	1
17	water drawer	121528	2
18	thermometer 0-120°C	342907	1
19	switch	341108	2
20	knob	361311	1
21	display UBERT	360146	1
22	thermostat 30-110°C	342218	1
23	contactor	342409	1
24	track for terminal blocks	121750	1
25	strain relief counter nut	338111	1
26	strain relief PG 16	338109	1
	guide bar	121777	1
	guide bar bottom	121778	1

DHT51 and DHT51SS

Pos.	Description	Part No.	Amount
1	front glass assy	121784	1
	front glass top	421025	1
2	reflector	121751	1
3	lamp socket	340412	10
4	halogen lamp 150W	340625	5
5	intermediate rail	121740	4
6	heating element 1000W	343115	2
7	heating element 1150W	343150	5
8	crumb drawer small	121885	2
9	crumb drawer big	121886	1
10	pressure lift	460001	2
11	lighting screen holder	460002	2
12	side glass	421010	2
13	fan	344104	2
14	terminal block 2-pole	333302	3
15	terminal block 4-pole	333323	6
16	end cap for terminal block	333324	1
17	sliding glass right	121788	1
18	sliding glass left	121787	1
19	water drawer	121887	2
20	thermometer 0-120°C	342907	1
21	switch	341108	2
22	knob	361311	1
23	display UBERT	360146	1
24	thermostat 30-110°C	342218	1
25	contactor	342409	1
26	track for terminal blocks	121750	1
27	strain relief counter nut	338111	1
28	strain relief PG 16	338109	1
	guide bar	121746	1
	guide bar bottom	121748	1

DHT71 and DHT71SS

Pos.	Description	Part No.	Amount
1	front glass assy	121986	2
	front glass top	421046	2
2	reflector	121751	1
3	lamp socket	340412	14
4	halogen lamp 150W	340625	7
5	intermediate rail	121740	6
6	heating element 1000W	343115	2
7	heating element 1150W	343150	7
8	crumb drawer small	121885	2
9	crumb drawer big	121886	2
10	pressure lift	460207	8
12	side glass	421047	2
13	fan	344104	3
14	terminal block 2-pole	333302	7
15	terminal block 4-pole	333323	6
16	end cap for terminal block	333324	1
17	sliding glass right	121992	2
18	sliding glass left	121990	2
19	water drawer	121983	3
20	thermometer 0-120°C	342907	1
21	switch	341108	2
22	knob	361311	1
23	display UBERT	360146	1
24	thermostat 30-110°C	342218	1
25	contactor	342409	1
26	track for terminal blocks	121750	1
27	strain relief counter nut	338111	1
28	strain relief PG 16	338109	1
	guide bar	121988	2
	guide bar bottom	121989	2